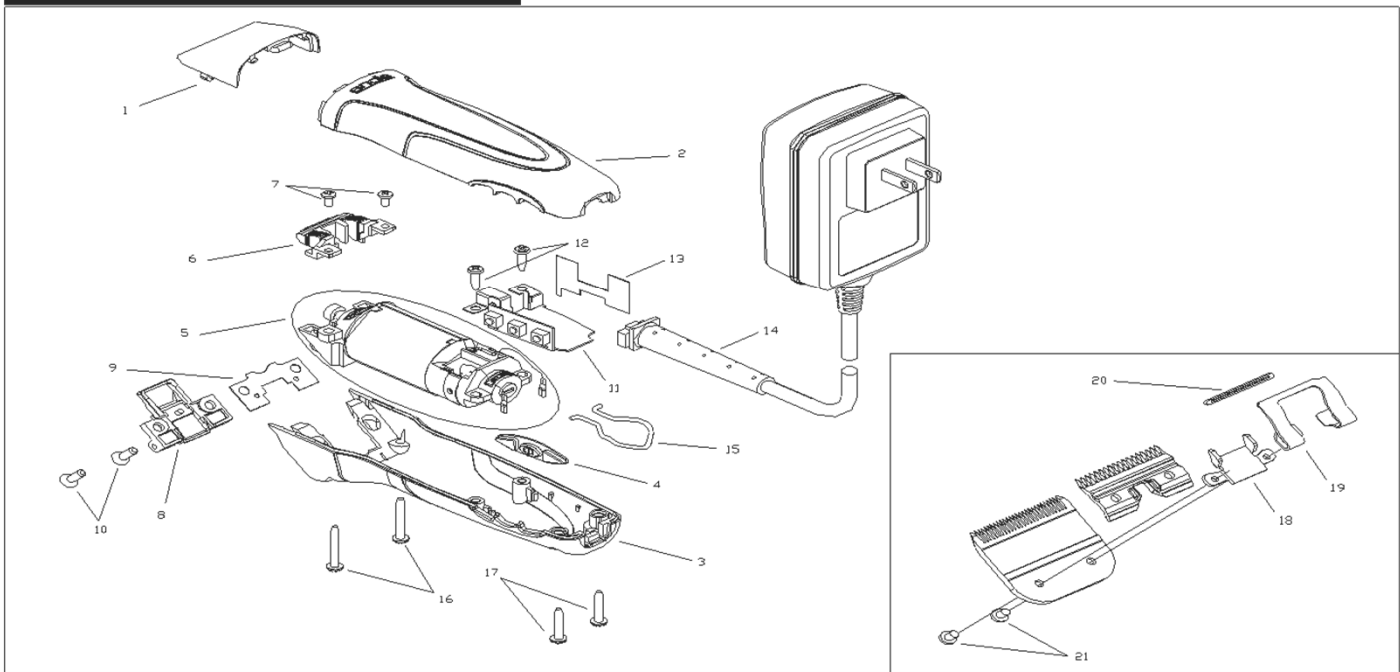


andis®

MODEL SMC CLIPPER
120 VOLT



ITEM NO.	PART NO.	DESCRIPTION	QTY. REQ'D
1		Drive Cap Assemblies	
1a	200362	Drive Cap Assembly (Pink)	1
1b	200363	Drive Cap Assembly (Metallic Silver)	1
1c	200364	Drive Cap Assembly (Metallic Blue)	1
1d	200366	Drive Cap Assembly (Lime Green)	1
1e	200367	Drive Cap Assembly (Purple)	1
1f	200368	Drive Cap Assembly (Metallic Black)	1
1g	200369	Drive Cap Assembly (Black)	1
1h	201497	Drive Cap Assembly (Burgundy)	1
1i	201498	Drive Cap Assembly (Metallic Fuchsia)	1
2		Upper Housing	
2a	201076	Upper Housing (Pink)	1
2b	201077	Upper Housing (Metallic Silver)	1
2c	201083	Upper Housing (Metallic Blue)	1
2d	201084	Upper Housing (Lime Green)	1
2e	201086	Upper Housing (Purple)	1
2f	201314	Upper Housing (Burgundy)	1
2g	201316	Upper Housing (Metallic Fuchsia)	1
2h	201388	Upper Housing (Black)	1
3		Lower Housing	
3a	201089	Lower Housing (Pink)	1
3b	201091	Lower Housing (Metallic Silver)	1
3c	201097	Lower Housing (Metallic Blue)	1
3d	201098	Lower Housing (Lime Green)	1
3e	201099	Lower Housing (Purple)	1
3f	201315	Lower Housing (Burgundy)	1

ITEM NO.	PART NO.	DESCRIPTION	QTY. REQ'D
3g	201317	Lower Housing (Metallic Fuchsia)	1
3h	201389	Lower Housing (Black)	1
4	60802	Switch Button	1
5	13618	Motor Assembly	1
6	S20656	Blade Drive Assembly	1
7	15766	Blade Drive Screw	2
8	S63897	Hinge Assembly	1
9	64535	Lock Keeper	1
10	27864	Blade Hinge Screw	2
11	60801	Circuit Board	1
12	65828	Screw	2
13	60701	Insulator	1
14	64940	Cord Set	1
15	25542	Hanger Bail	1
16	64606	Front Housing Screw	2
17	60804	Rear Housing Screws	2
18	64003	Blade Bracket	1
19	64013	Tension Spring	1
20	64027	Blade Guide	1
21	64139	Blade Screw	2

IMPORTANT INFORMATION

When ordering repair parts, include part number, part name and model of trimmer. For best performance, trimmer blades should be CLEANED and OILED with Andis Clipper Oil before and after use. If repair is necessary, return to any Andis Authorized Repair Service Station, or to Andis Company, 1800 Renaissance Blvd., Sturtevant, Wisconsin, 53177 U.S.A.. Pack carefully, mail either Insured Parcel Post, or U.P.S. , attach a letter to outside of package explaining difficulty.